

Data Sheet

VES-WAS-54565

Straight Waveguide

WR187 50Ω 5450-5650 MHz

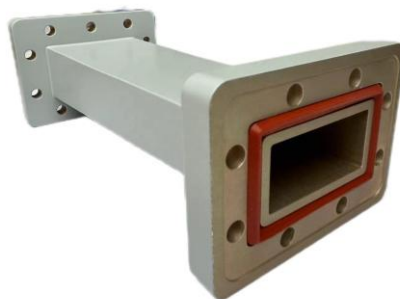


Features

- Low Insertion Loss, 0.05 dB typ.
- Excellent Frequency Selectivity
- Low VSWR, 1.15:1 Max.
- Broad Power Handling Capability
- Durability and Reliability

Applications

- Wireless communication
- Satellite communication
- Wlan /Wimax
- ISM band instrument
- Information System for
- Automotive Safety



Generic photo used for illustration purposes only

Electrical Specifications at 25° C

Parameter	Specification	Unit
Electrical Specifications		
Frequency Range	5450-5650	MHz
VSWR (Max)	1.15	:1
Insertion Loss (Max)	0.05 dB	
Power Handling (Design Guarantee)	500 W (CW) 5KW (Peak power)	W
Operation temperature	-40°C~ +70 °C	°C
Storage Temperature	-55°C~+85°C	°C

Viet Electronic technology solutions (VIETES Co., Ltd)

For detailed performance specs & Shopping online see Vietes web site: www.Vietes.vn

Data Sheet

VES-WAS-54565

Straight Waveguide

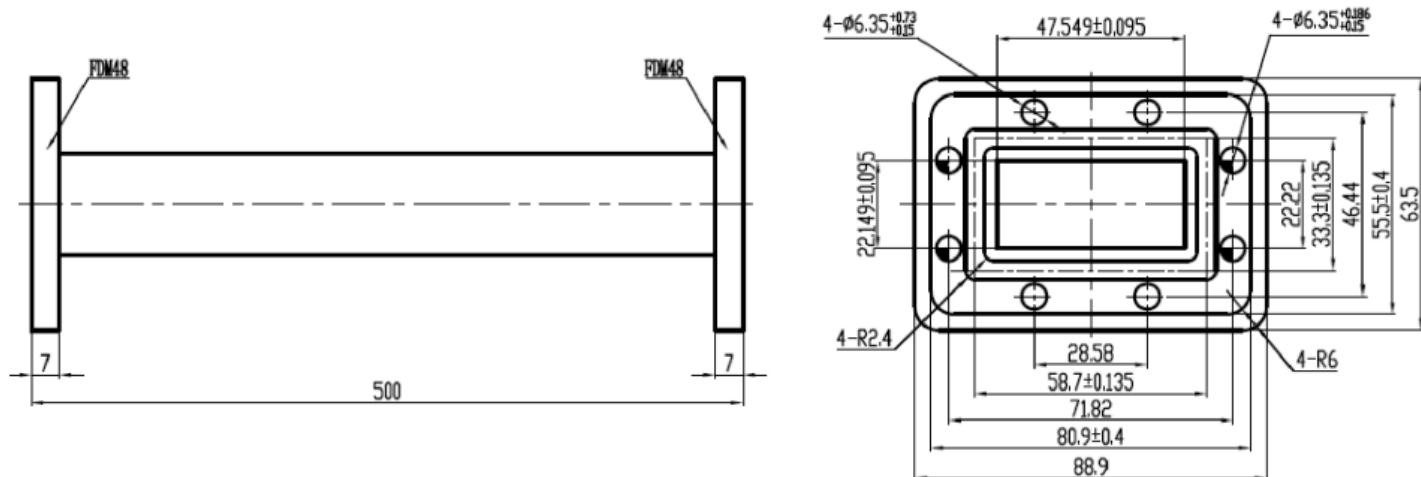
WR187 50Ω 5450-5650 MHz



Mechanical Specifications

Parameter	Specification
Waveguide Type	WR187
Flange Type	FDM48/CPR187G (Grooved)
Material	Aluminum
Inside finish	Chromate conversion
Outside finish	Anticorrosion Grey paint

Outline Drawing Dimensions (mm)



Viet Electronic technology solutions (VIETES Co., Ltd)

For detailed performance specs & Shopping online see Vietes web site: www.Vietes.vn

Data Sheet

VES-WAS-54565

Straight Waveguide

WR187 50Ω 5450-5650 MHz



Contact us

VIET ELECTRONIC TECHNOLOGY SOLUTIONS (VIETES CO., LTD)

No. 79, Lane 193 Trung Kinh, Yen Hoa, Hanoi, Vietnam.

www.vietes.vn

Email: info@vietes.vn

Viet Electronic technology solutions (VIETES Co., Ltd)

For detailed performance specs & Shopping online see Vietes web site: www.Vietes.vn