

Data Sheet

VES-SW-5482

WR137 W/G Rotary Transfer Switch

WR137 50Ω 5400-8200 MHz



Features

- 5400 to 8200 MHz Waveguide Switch
- 24 VDC Nominal Voltage
- Working mode: power off at position reached
- Operating Temperature: -50°C to +70°C

Applications

- Microwave Radio
- Test Instrument
- Research and Development



Generic photo used for illustration purposes only

Switch Type:

Control Mode/Interface	Electric/Manual (TYB3112E10-6P)	Drive mode:	Electric + Manual
Voltage	24V~28V	Current	≤1 A
Switching Time	<50ms	Switch Lifetime	100,000 times

Electrical Specifications at 25° C

Parameter	Specification	Unit
Frequency Range	5400-8200	MHz
VSWR (Max)	≤1.1	:1
Insertion Loss	≤0.1	dB
Isolation	≥50dB	dB
Power Handling (Design Guarantee)	≥ 5kW (CW)	W

Viet Electronic technology solutions (VIETES Co., Ltd)

For detailed performance specs & Shopping online see Vietes web site: www.Vietes.vn

Data Sheet

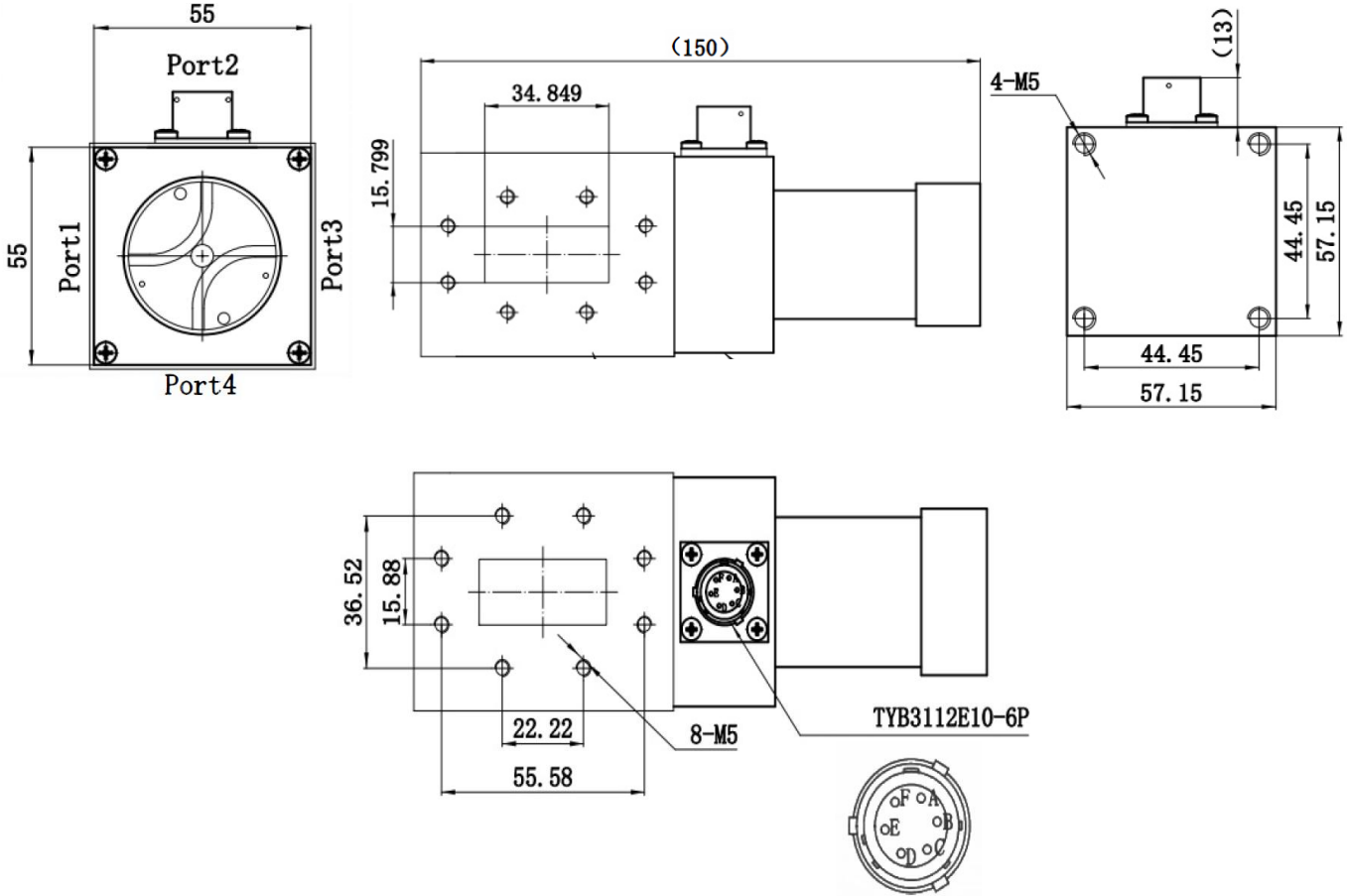
VES-SW-5482

WR137 W/G Rotary Transfer Switch

WR137 50Ω 5400-8200 MHz



Outline Drawing Dimensions (mm)



Parameter	Specification
Waveguide Type	WR137
Flange Type	FDP70
Material	Aluminum
Inside finish	Natural conductive oxidation

Viet Electronic technology solutions (VIETES Co., Ltd)

For detailed performance specs & Shopping online see Vietes web site: www.Vietes.vn

Data Sheet

VES-SW-5482

WR137 W/G Rotary Transfer Switch

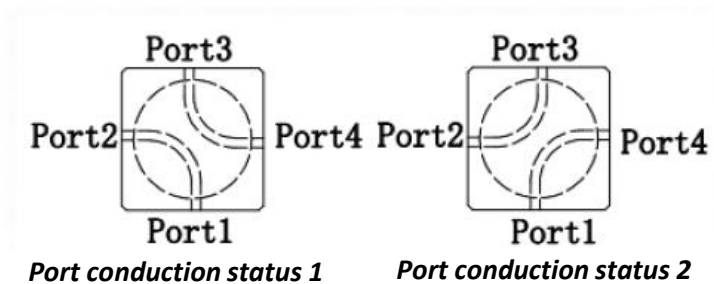
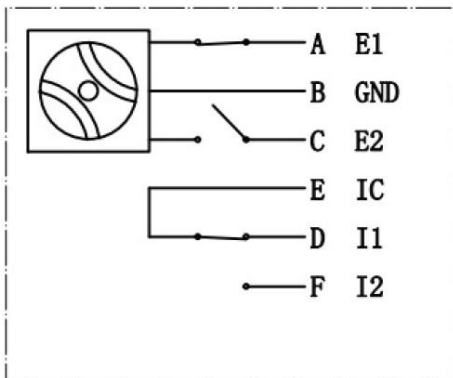
WR137 50Ω 5400-8200 MHz



Wiring Definition

Pin Definition	Function	Note
A	E1	State 1 control signal, +24V, pulse >200 ms (Port1–Port2, Port3–Port4 ON)
B	GND	Common control ground (shared with +24V)
C	E2	State 2 control signal, +24V, pulse >200 ms (Port2–Port3, Port1–Port4 ON)
D	I1	State 1 feedback: Port1–Port2 & Port3–Port4 ON → I1–IC ON, I2–IC OFF
E	IC	Common feedback terminal
F	I2	State 2 feedback: Port2–Port3 & Port1–Port4 ON → I2–IC ON, I1–IC OFF

Port Status Diagram



Viet Electronic technology solutions (VIETES Co., Ltd)

For detailed performance specs & Shopping online see Vietes web site: www.Vietes.vn

Data Sheet

VES-SW-5482

WR137 W/G Rotary Transfer Switch

WR137 50Ω 5400-8200 MHz



Contact us

VIET ELECTRONIC TECHNOLOGY SOLUTIONS (VIETES CO., LTD)

No. 79, Lane 193 Trung Kinh, Yen Hoa, Hanoi, Vietnam.

www.vietes.vn

Email: info@vietes.vn

Viet Electronic technology solutions (VIETES Co., Ltd)

For detailed performance specs & Shopping online see Vietes web site: www.Vietes.vn