

# Data Sheet

VES-LB98415

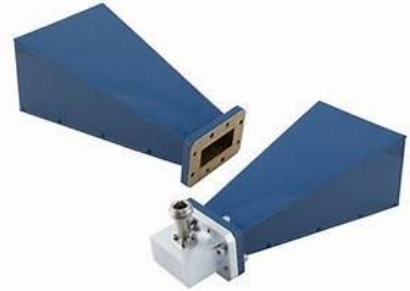
Standard Gain Antenna Horn

50Ω 9.84-15 GHz



## Features

- 9.84 to 15 GHz
- 10dBi Nominal Gain
- Linearly Polarized High Gain, Low VSWR
- Exceptionally high power support



*Generic photo used for illustration purposes only*

## Applications

- Wireless communication
- Laboratory Use
- Satellite Antenna Testing
- Automotive Antenna Test
- Antenna Measurements
- Radar Cross Section

## Electrical Specifications at 25° C

No.	Parameter	Specification-Value	Unit
1.	Frequency Range	9.84 - 15	GHz
2.	Nominal Gain @ in the band: 9.84-15 GHz	10	dBi
3.	Gain Accuracy (dB)	±1	dB
4.	Max. Input Power	300 W (CW)	W
5.		500 W (Peak)	W
6.	VSWR	1.2	:1
7.	Impedance	50	Ω
8.	Polarization	Linear	-

**Viet Electronic technology solutions (VIETES Co., Ltd)**

For detailed performance specs & Shopping online see Vietes web site: [www.Vietes.vn](http://www.Vietes.vn)

# Data Sheet

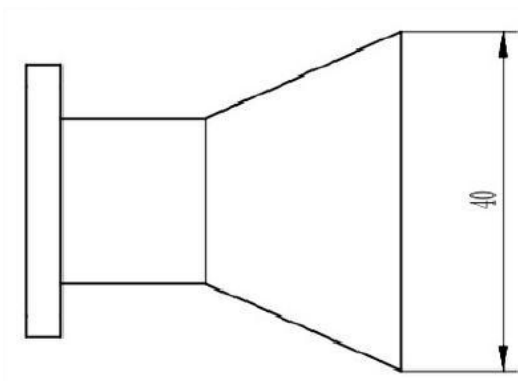
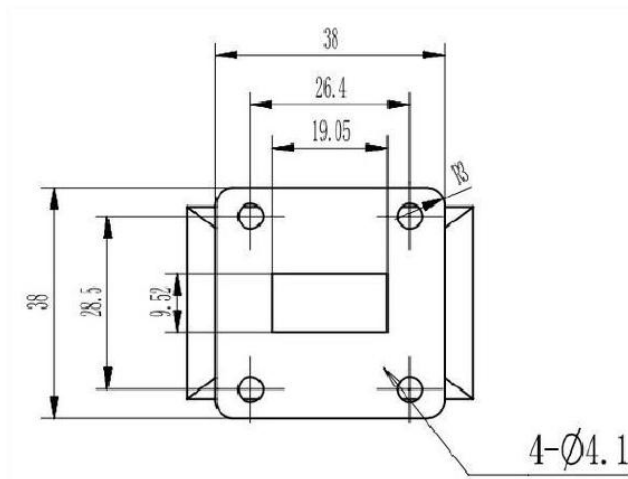
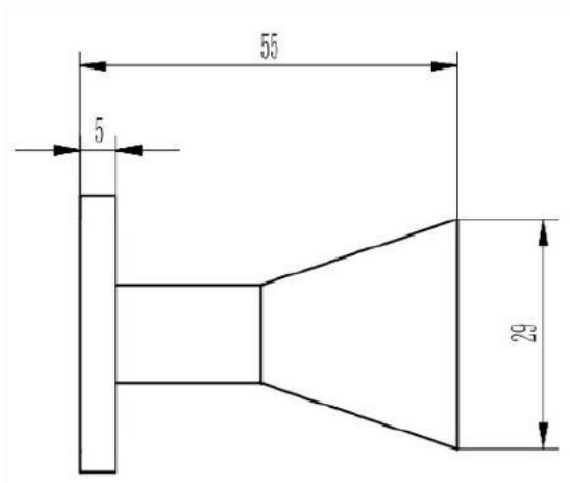
VES-LB98415

Standard Gain Antenna Horn

50Ω 9.84-15 GHz



## Outline Drawing Dimensions (mm)



- Flange: FBP120
- Material: Aluminum
- Surface Treatment: Conductive oxidation
- Surface Coating: Black Paint

**Viet Electronic technology solutions (VIETES Co., Ltd)**

For detailed performance specs & Shopping online see Vietes web site: [www.Vietes.vn](http://www.Vietes.vn)

## Data Sheet

VES-LB98415

Standard Gain Antenna Horn

50Ω 9.84-15 GHz



---

## Contact us

### VIET ELECTRONIC TECHNOLOGY SOLUTIONS (VIETES CO., LTD)

No. 79, Lane 193 Trung Kinh, Yen Hoa, Hanoi, Vietnam.

[www.vietes.vn](http://www.vietes.vn)

Email: [info@vietes.vn](mailto:info@vietes.vn)

**Viet Electronic technology solutions (VIETES Co., Ltd)**

For detailed performance specs & Shopping online see Vietes web site: [www.Vietes.vn](http://www.Vietes.vn)