

# Data Sheet

VES-LB26D15N

S Band Standard Gain Antenna Horn

50Ω N-Female 2.17-3.3 GHz



## Features

- 2170 to 3300 MHz
- 15dBi Nominal Gain
- N Female Connector
- Linearly Polarized High Gain, Low VSWR
- Attached Mounting fixture compatible for mounting on tripod stand.



*Generic photo used for illustration purposes only*

## Applications

- Wireless communication
- Satellite Antenna Testing
- Antenna Measurements
- Laboratory Use
- Automotive Antenna Test
- Radar Cross Section

## Coaxial Connections

Port: N- Female

## Electrical Specifications at 25° C

No.	Parameter	Specification-Value	Unit
1.	Frequency Range	2170 - 3300	MHz
2.	Nominal Gain @ in the band: 2.17-3.3 GHz	≥ 15	dBi
3.	Nominal Gain @ 2.2GHz:	≥ 15	dBi
4.	Gain Accuracy (dB)	±1	dB
5.	Power Rating	200 CW	W
6.	VSWR	1.5	:1
7.	Impedance	50	Ω
8.	Polarization	Linear	-

**Viet Electronic technology solutions (VIETES Co., Ltd)**

For detailed performance specs & Shopping online see Vietes web site: [www.Vietes.vn](http://www.Vietes.vn)

# Data Sheet

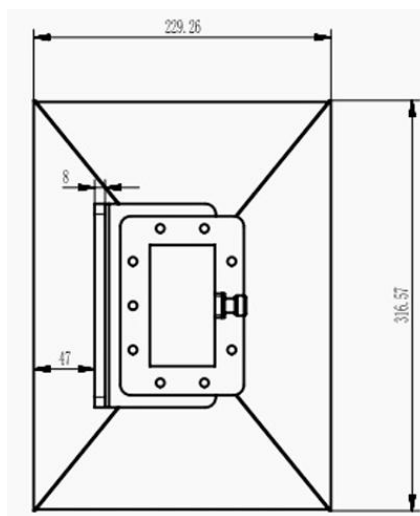
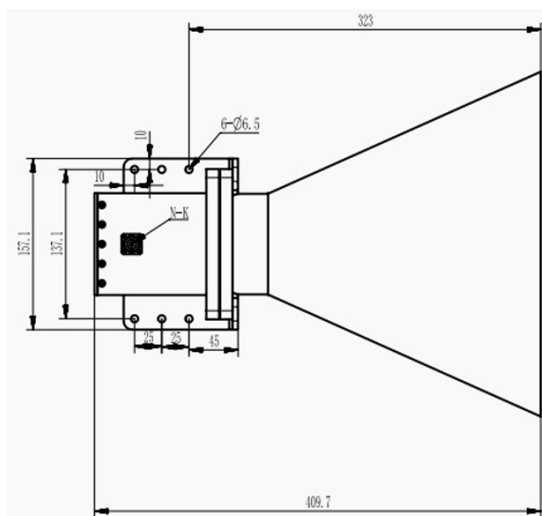
VES-LB26D15N

S Band Standard Gain Antenna Horn

50Ω N-Female 2.17-3.3 GHz



## Outline Drawing Dimensions (mm)



- RF Connectors: N Female
- Material: Aluminum
- Surface Treatment: Conductive Oxidation
- Surface Coating: Black Paint

**Viet Electronic technology solutions (VIETES Co., Ltd)**

For detailed performance specs & Shopping online see Vietes web site: [www.Vietes.vn](http://www.Vietes.vn)

## Data Sheet

VES-LB26D15N

S Band Standard Gain Antenna Horn

50Ω N-Female 2.17-3.3 GHz



## Contact us

**VIET ELECTRONIC TECHNOLOGY SOLUTIONS (VIETES CO., LTD)**

No. 79, Lane 193 Trung Kinh, Yen Hoa, Hanoi, Vietnam.

[www.vietes.vn](http://www.vietes.vn)

Email: [info@vietes.vn](mailto:info@vietes.vn)

**Viet Electronic technology solutions (VIETES Co., Ltd)**

For detailed performance specs & Shopping online see Vietes web site: [www.Vietes.vn](http://www.Vietes.vn)