

# Data Sheet

VES-HPL-54565

HIGH POWER LOAD

WR187 50Ω 5450-5650 MHz

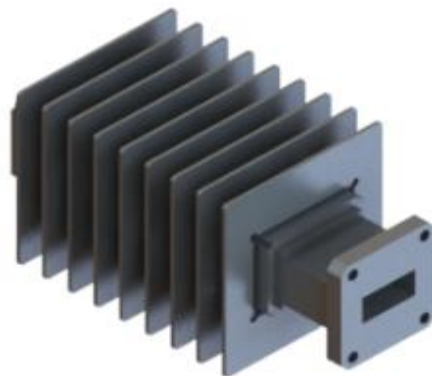


## Features

- Extremely rugged high power loads
- Excellent Frequency Selectivity
- Low VSWR, 1.15:1 Max.
- Available with most common flanges
- Durability and Reliability

## Applications

- Wireless communication
- Satellite communication
- WLAN/Wimax
- ISM band instrument
- Information System for
- Automotive Safety



*Generic photo used for illustration purposes only*

## Electrical Specifications at 25° C

Parameter	Specification	Unit
<b>Electrical Specifications</b>		
Frequency Range	5450-5650	MHz
VSWR (Max)	1.15	:1
Power Handling (Design Guarantee)	500 W (CW) 5KW (Peak power)	W
Operation temperature	-40°C~ +70 °C	°C
Storage Temperature	-55°C~+85°C	°C

**Viet Electronic technology solutions (VIETES Co., Ltd)**

For detailed performance specs & Shopping online see Vietes web site: [www.Vietes.vn](http://www.Vietes.vn)

# Data Sheet

VES-HPL-54565

HIGH POWER LOAD

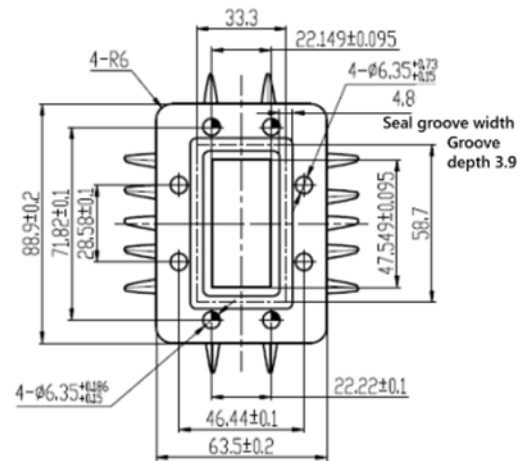
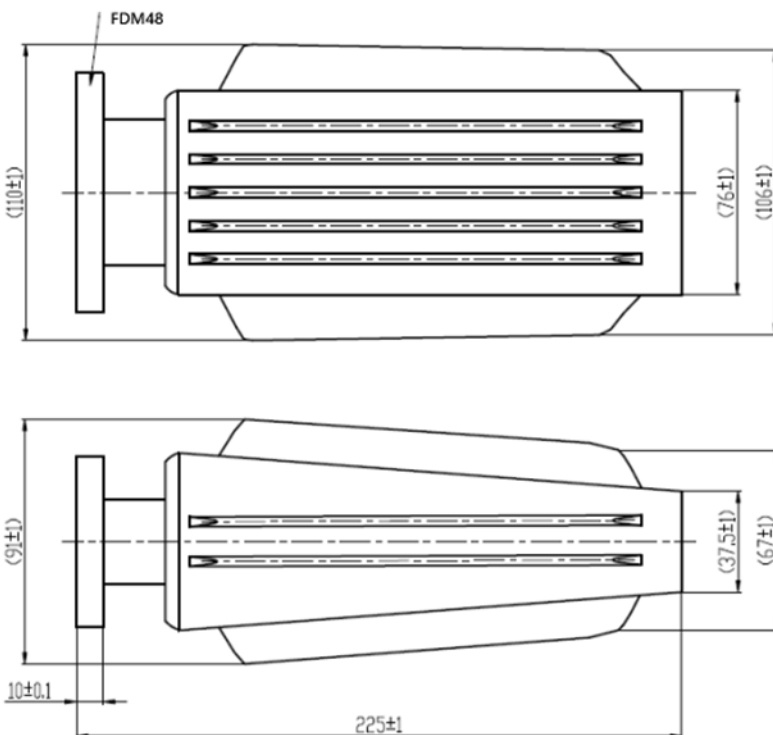
WR187 50Ω 5450-5650 MHz



## Mechanical Specifications

Parameter	Specification
Waveguide Type	WR187
Flange Type	FDM48/CPR187G (Grooved)
Material	Aluminum
Inside finish	Chromate conversion
Outside finish	Anticorrosion Grey paint

## Outline Drawing Dimensions (mm)



Viet Electronic technology solutions (VIETES Co., Ltd)

For detailed performance specs & Shopping online see Vietes web site: [www.Vietes.vn](http://www.Vietes.vn)

## Data Sheet

VES-HPL-54565

HIGH POWER LOAD

WR187 50Ω 5450-5650 MHz



---

## Contact us

### VIET ELECTRONIC TECHNOLOGY SOLUTIONS (VIETES CO., LTD)

No. 79, Lane 193 Trung Kinh, Yen Hoa, Hanoi, Vietnam.

[www.vietes.vn](http://www.vietes.vn)

Email: [info@vietes.vn](mailto:info@vietes.vn)

**Viet Electronic technology solutions (VIETES Co., Ltd)**

For detailed performance specs & Shopping online see Vietes web site: [www.Vietes.vn](http://www.Vietes.vn)