

Data Sheet

Flexible Twist Rectangular

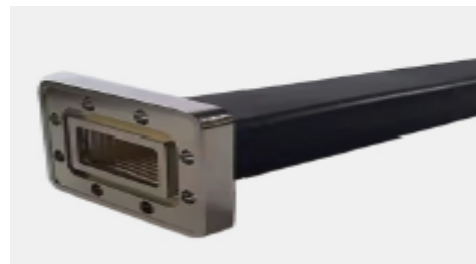
Waveguide

WR187 50Ω 5450-5650 MHz



Innovative Communication Solutions

Flexible Twist Rectangular Waveguide



Generic photo used for illustration purposes only

Mechanical Specifications	
Waveguide Type	WR187
Flange Type	CPR-G
Material	Brass Silicon Rubber、 Brass
Pressurization	30psi
Maximum Twist	214deg/m
Minimum Bend Radius (E Plane)	102mm
Repeated Bend Radius, E plane	400mm
Minimum Bend Radius (H Plane)	204mm
Repeated Bend Radius, H plane	800mm
Length	L=500 mm
Operating temperature	-40°C ~+75°C
Storage Temperature	-55°C ~+85°C
Electrical Specifications	
Frequency Range	5.45 -5.65 GHz
VSWR (Max)	≤1.1
Insertion Loss (Max)	0.05 dB
Power Handling	2kW

Viet Electronic technology solutions (VIETES Co., Ltd)

For detailed performance specs & Shopping online see Vietes web site: www.Vietes.vn

Data Sheet

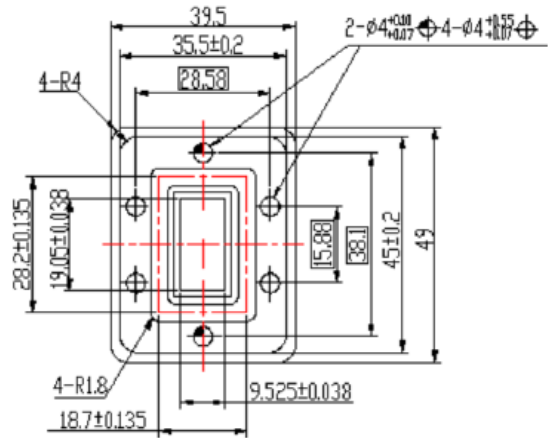
Flexible Twist Rectangular

Waveguide

WR187 50Ω 5450-5650 MHz



Outline Drawing Dimensions (mm)



Contact us

VIET ELECTRONIC TECHNOLOGY SOLUTIONS (VIETES CO., LTD)

No. 79, Lane 193 Trung Kinh, Yen Hoa, Hanoi, Vietnam.

www.vietes.vn

Email: info@vietes.vn

Viet Electronic technology solutions (VIETES Co., Ltd)

For detailed performance specs & Shopping online see Vietes web site: www.Vietes.vn