

Data Sheet

VES-4DIV-14

Power Divider/Combiner

4-Way 50Ω 1-4 GHz



Features

- Low Insertion Loss, 0.8 dB typ.
- High Isolation, 23 dB typ.
- Low VSWR, 1.3:1 typ.
- Wideband, 1 to 4 GHz
- Tight Amplitude Balance, ± 0.3 dB.
- Tight Phase Balance, $\pm 3^\circ$.
- Power Handling 1W (Combined)
20W (Distribution).
- Temperature range -55°C to +85°C



Generic photo used for illustration purposes only

Applications

- Wireless communication
- Satellite communication
- WLAN/Wimax
- ISM band instrument
- Information System for
- Automotive Safety

Coaxial Connections

Sum port	SMA-F
Port 1,2,3,4	SMA-F

Electrical Specifications at 25° C

Parameter	Symbol	Min	Typ	Max	Unit
Frequency Range	f	1000		4000	MHz
Insertion Loss (Above 6dB)	IL	-	0.8	1	dB
Isolation	Isol	18	23	-	dB
Phase Balance	ϕ_{bal}	$\pm 3^\circ$			Deg
Amplitude Balance	Abal	± 0.3 dB			dB
VSWR (Port S)		-	1.30	1.4	:1
VSWR (Port 1-2)		-	1.15	1.25	:1

Viet Electronic technology solutions (VIETES Co., Ltd)

For detailed performance specs & Shopping online see Vietes web site: www.Vietes.vn

Data Sheet

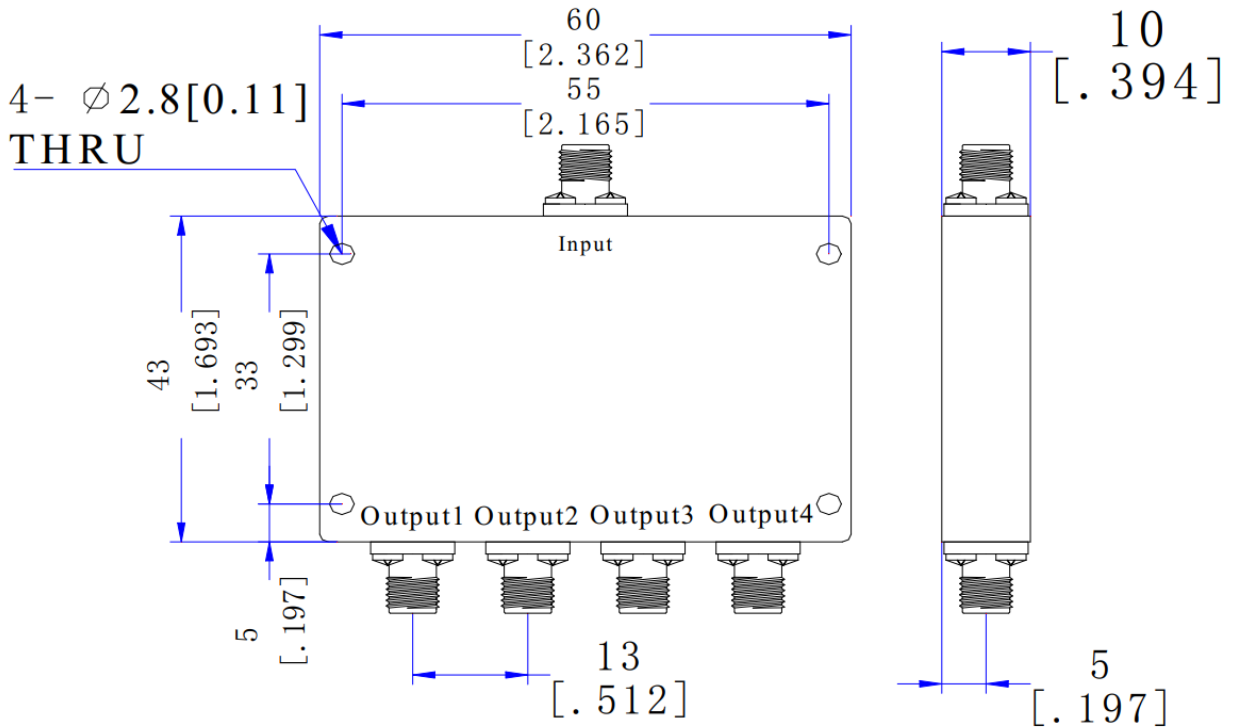
VES-4DIV-14

Power Divider/Combiner

4-Way 50Ω 1-4 GHz



Outline Drawing Dimensions (mm/[inch])



NO.	Specifications	Value
1	Connectors	SMA- Female, Stainless Steel, Passivate
2	Connector Pins	Beryllium Copper, Gold Plate
3	Connector Interface Torque	8 ± 1.0 in-lbs
4	Housing	Aluminium, RoHS Compliant Chemical
5	Insulators	PTFE
6	Weight	110g

Viet Electronic technology solutions (VIETES Co., Ltd)

For detailed performance specs & Shopping online see Vietes web site: www.Vietes.vn

Data Sheet

VES-4DIV-14

Power Divider/Combiner

4-Way 50Ω 1-4 GHz



Contact us

VIET ELECTRONIC TECHNOLOGY SOLUTIONS (VIETES CO., LTD)

No. 79, Lane 193 Trung Kinh, Yen Hoa, Hanoi, Vietnam.

www.vietes.vn

Email: info@vietes.vn

Viet Electronic technology solutions (VIETES Co., Ltd)

For detailed performance specs & Shopping online see Vietes web site: www.Vietes.vn