

Data Sheet

VES-AD-WR90WR112

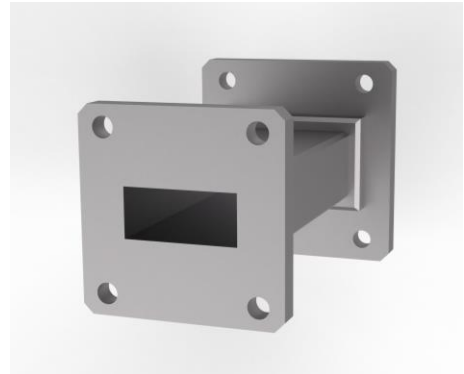
WR112 to WR90 Waveguide

Features

- Transitions from WR-112 to WR-90 waveguide
- FBP100 Flange

Applications

- Radar Systems
- Communication Systems
- Microwave Radio Systems
- Military and Space



Generic photo used for illustration purposes only

Electrical Specifications

Description	Min.	Typ.	Max.	Unit
VSWR	-	1.08	-	:1

Mechanical Specifications

Size

Length 3 in [76.2 mm]

Weight 300g

Description	Flange 1	Waveguide	Flange 2
Designation	FBP100	WR-112 to WR-90	FBP100
Flange Type	Square Cover	-	Square Cover
Material	Brass	Brass	Brass

Plotted and Other Data

Notes:

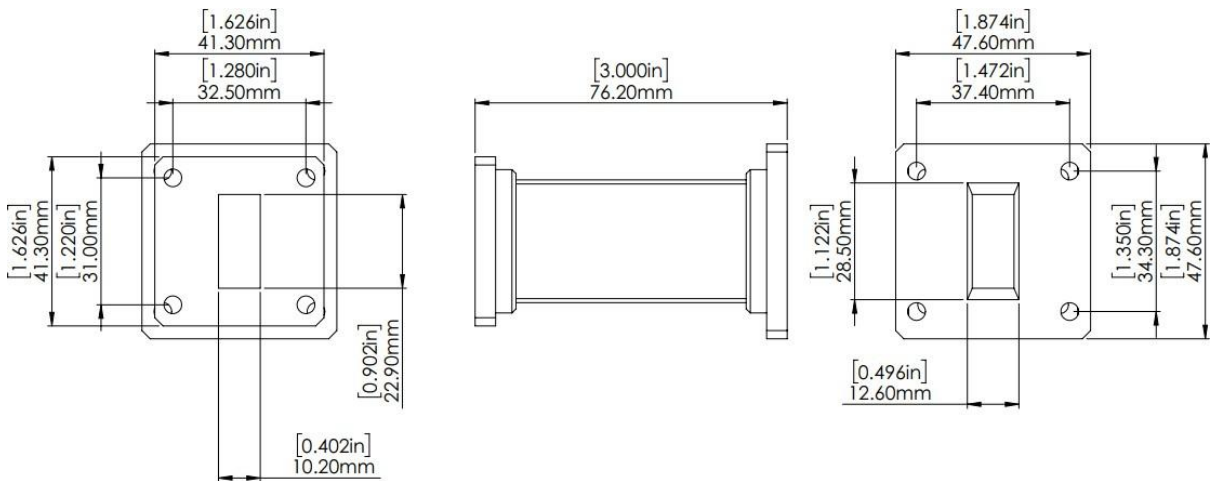
- Values at +25°C, sea level.
- ESD Sensitive Material, Transport material in Approved ESD bags.
Handle only in approved ESD Workstation.



Viet Electronic technology solutions (VIETES Co., Ltd)

For detailed performance specs & Shopping online see Vietes web site: www.Vietes.vn

Outline Drawing Dimensions ([inch]/mm)



Data Sheet
VES-AD-WR90WR112
WR112 to WR90 Waveguide



Contact us

VIET ELECTRONIC TECHNOLOGY SOLUTIONS (VIETES CO., LTD)

No. 79, Lane 193 Trung Kinh, Yen Hoa, Hanoi, Vietnam

www.vietes.vn

Email: info@vietes.vn

Viet Electronic technology solutions (VIETES Co., Ltd)

For detailed performance specs & Shopping online see Vietes web site: www.Vietes.vn