

Data Sheet

VES-AD-SMAWR90

Coax to Waveguide Adapter

WR90 8200-12400 MHz

Feature

- Transitions SMA to WR-90
- Waveguide size WR90
- Flange Square type
FBP100
- Impedance 50 Ohms
- Body Geometry Right Angle



Applications

- Radar Systems
- Communication Systems
- Microwave Radio Systems
- Military and Space

Generic photo used for illustration purposes only

Electrical Specifications

Parameter	Min	Typ	Max	Unit
Frequency Range	8.2	-	12.4	GHz
VSWR			1.2	:1

Mechanical Specifications

Description	RF Connector	Waveguide Interface
Designation	Female	FBP100
Type	SMA	Square Cover
Material	Stainless Steel	Aluminum(Cromate)

Viet Electronic Technology Solutions (VIETES Co., Ltd)

For detailed performance specs & Shopping online see Vietes web site: www.Vietes.vn

Data Sheet

VES-AD-SMAWR90

Coax to Waveguide Adapter

WR90 8200-12400 MHz



VIETES

KEEP MOVING FORWARD

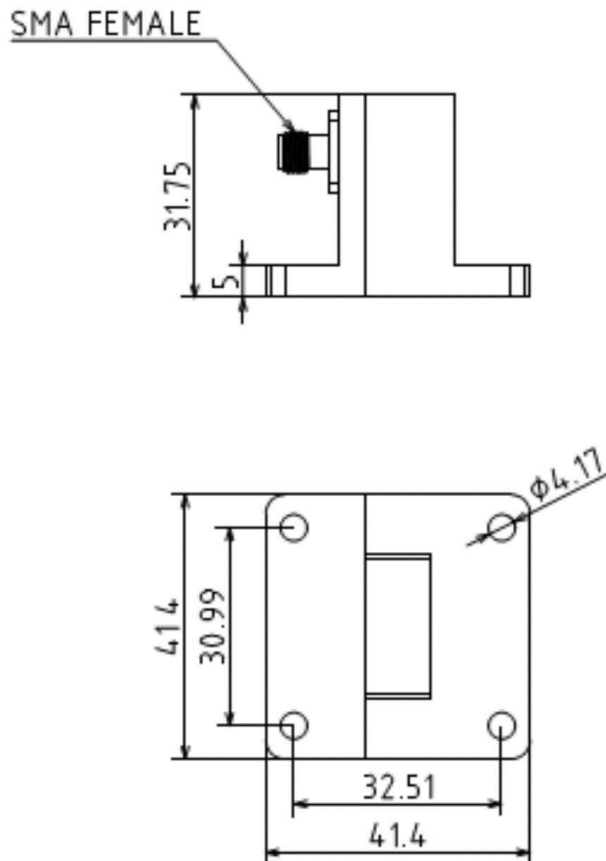
Plot and Other Data

Notes:

- Values at +25°C, sea level.
- ESD Sensitive Material, Transport material in Approved ESD bags. Handle only in approved ESD Workstation.



Outline Drawing Dimensions (mm)



Viet Electronic Technology Solutions (VIETES Co., Ltd)

For detailed performance specs & Shopping online see Vietes web site: www.Vietes.vn

Data Sheet

VES-AD-SMAWR90

Coax to Waveguide Adapter

WR90 8200-12400 MHz



VIETES

KEEP MOVING FORWARD

Contact us

VIET ELECTRONIC TECHNOLOGY SOLUTIONS (VIETES CO., LTD)

No. 79, Lane 193 Trung Kinh, Yen Hoa, Hanoi, Vietnam

www.vietes.vn

Email: info@vietes.vn

Viet Electronic Technology Solutions (VIETES Co., Ltd)

For detailed performance specs & Shopping online see Vietes web site: www.Vietes.vn